

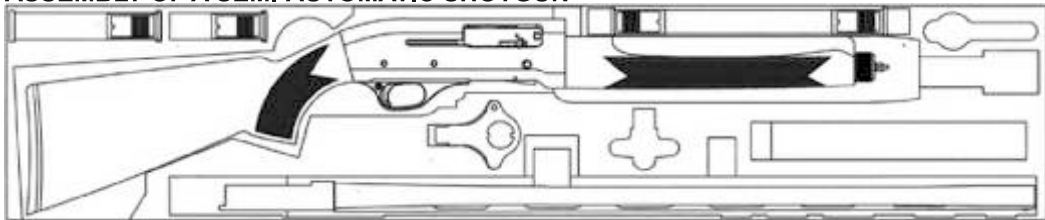
Semi Automatic Shotgun User Manual

YILDIZ, produces quality with the image of "reliable trademark" Also, it is one of today's and future's leading establishments of Arms Industry. It serves everybody who like hunting, the nature, the crafts and sports with its large production range, by use of the ultimate possibilities of labor and technology.

It has an understanding of giving priority to the principle of total quality and standardization of parts in production, to provide the best services, warranties and price stability in marketing with the highest comprehension of responsibility.

Congratulations! You have one of our high quality guns.

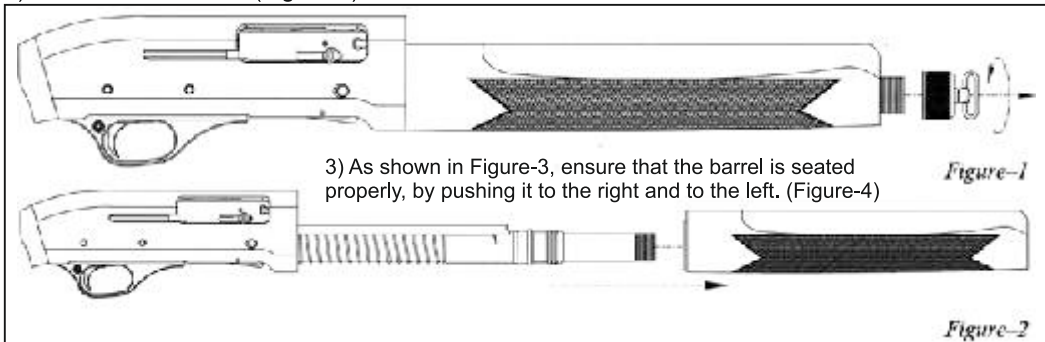
ASSEMBLY OF A SEMI-AUTOMATIC SHOTGUN



ASSEMBLING THE BARREL

Perform the following steps to assemble a semi-automatic shotgun with a detached barrel.

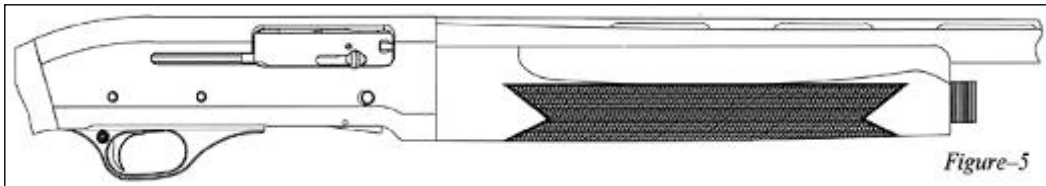
- 1) Remove the magazine nut. (Figure-1)
- 2) Remove the handle. (Figure-2)



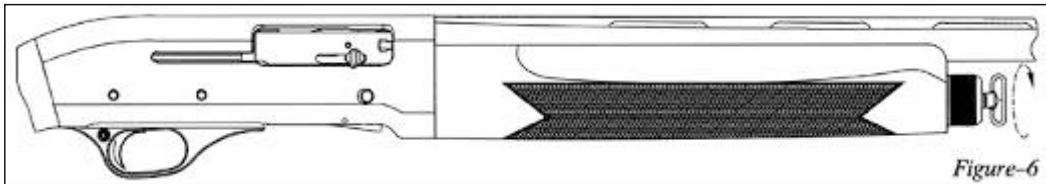
3) As shown in Figure-3, ensure that the barrel is seated properly, by pushing it to the right and to the left. (Figure-4)

Figure-1

Figure-2



4) Insert the handle into its place as shown in the figure. (Figure-5)



5) Tighten the magazine nut properly. (Figure-6) Now your shotgun is ready to use.

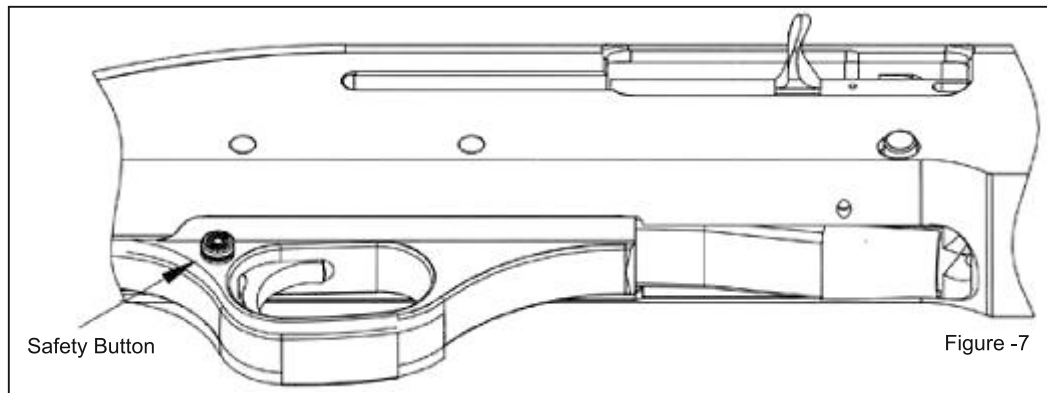
1) The red mark on safety button as shown in Figure-7 indicates that the safety button is in fire mode and the gun is ready to fire.

2) Push on the safety button by your finger until the red mark disappears to secure the gun.

3) Push on the other end of the safety button to put the gun in to fire mode. The red button will appear.

CAUTION: Always keep the safety button of your gun in safe mode when you load or unload the gun, after you complete shooting, when you are at home and when you travel with your gun. Do not aim your gun at a living being unless you fire.

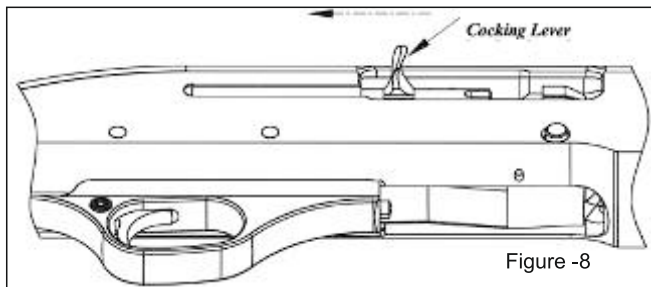
SAFETY



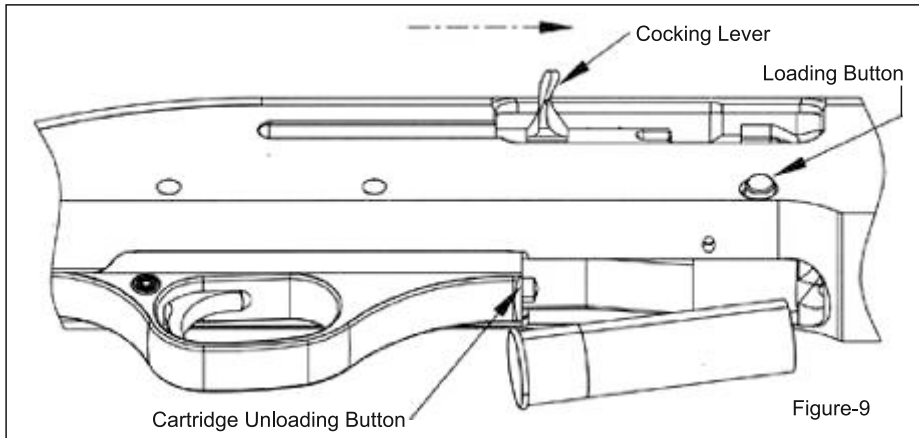
LOADING - UNLOADING

LOADING

- 1) Put your gun into safety mode before loading.
- 2) Pull the cocking lever back all its way. (Figure-8)



- 3) Push the loading button, mechanism will move to forward rapidly.
- 4) Load cartridges into magazine tube. (Figure-9)

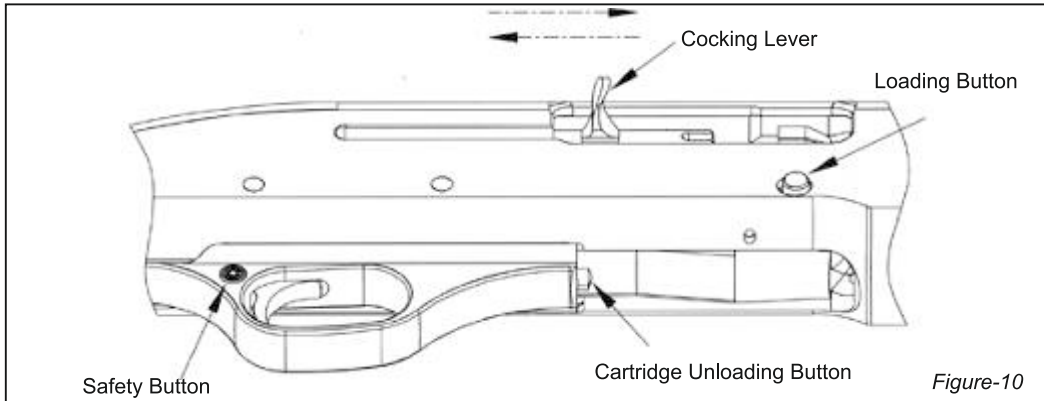


To fire, push cartridge unloading button and pull cocking lever back all its way and release cocking lever rapidly. After this process, unfired cartridge into magazine tube will be moved to chamber and trigger will be ready to fire.

Please read security rules and obtain them.

CAUTION: When you push loading button, mechanism will be released rapidly so don't put your finger into mechanism way.

UNLOADING



- 1) Be sure that your shotgun is in safety mode.
- 2) Aim the barrel at a safe direction.
- 3) Push cartridge unloading button. Pull cocking lever back all its way and push cartridge button again.

Doing so you unload a charged cartridge and you load another cartridge into the chamber. Repeat it until all cartridges are unloaded.

When all cartridges are unloaded, the cocking lever stays at the rear of the gun. Push the loading button and let the cocking lever release. (Figure-10)

DISMANTLEMENT, MAINTENANCE AND LUBRICATION

CAUTION: Put your gun into safe mode, pull the cocking lever back and ensure that your gun is empty.

- 1) Detach the barrel of your gun performing carefully the steps in the assembly section, in adverse order.
 - a) Remove the magazine nut.
 - b) Remove the handle.
 - c) Remove the barrel by moving it to the right and to left repeatedly.
 - d) Remove the piston. (Figure-11)

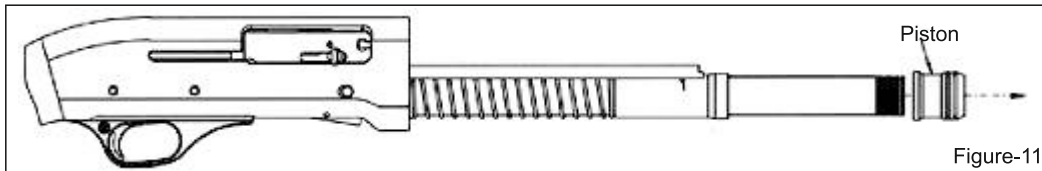


Figure-11

Detaching other parts require knowledge and skill. Any part may be installed incorrectly as a result of improper dismantlement. Defective assembly will cause malfunction.

CAUTION: Be sure that piston don't stay into gas room. If piston stays into gas room, gas room can't be cleaned

- 2) Please hold your gun vertically as shown in figure 12. Press the spring about 5 or 6mm to down by holding mechanism lever.
- 3) Remove the freed mechanism and lever assembly.
- 4) Remove the pins in the stock by use of another pin in order to detach the trigger assembly.
- 5) Remove the choke at the end of the barrel of your gun and clean it.
- 6) Clean, lubricate and dry all removed parts and then assemble them by performing the above explained dismantlement steps in reverse order. (Refer to barrel assembly section). Lubricate the inner side of the barrel by use of a gun ramrod with a piece of cloth impregnated by gun lubricant. Lubricate the outer side of the barrel. After a while, dry the inner and outer sides of the barrel by a clean piece of cloth. Ensure that any foreign substances such as cloth or thread are not left within the barrel and gas chamber during cleaning.
- 7) Keep your gun away from dust, humidity and acid
- 8) Please refer to our factory for more information.

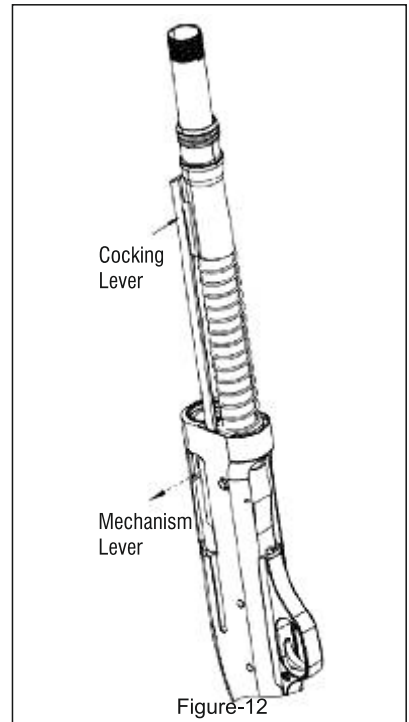


Figure-12

WARRANTY

- 1) Our company warrants all the parts except for wooden sections for a period of 2 year.
- 2) Maintenance and repair periods during warranty period will be added to the warranty period.
- 3) The failures within 2 year from the initial sale date will be repaired by our company free of charge.
- 4) This warranty will be valid if the customer performs his/her obligations completely according to the user's guide.

Any failure arisen from misuse or improper use is not covered by this warranty.

- 5) If any product repeats the same failure twice within warranty period or if its repair is not possible based on a report by our service, it will be replaced.